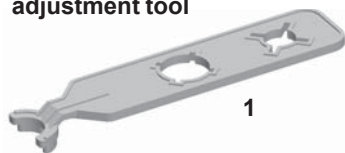


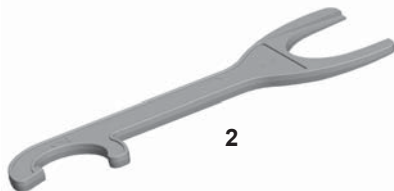
Appendix 4. Assembly and spare parts

* Available as a spare part. See model specific order numbers on page 26.

1062800
Service and
adjustment tool



1062930
Multichannel service tool



2215870 Tip fitting tool



* 4. Handle



* 5. Tip fitting



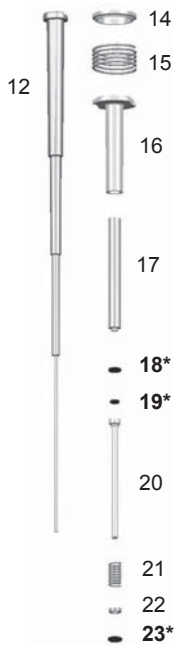
* 42. Tip cone assembly



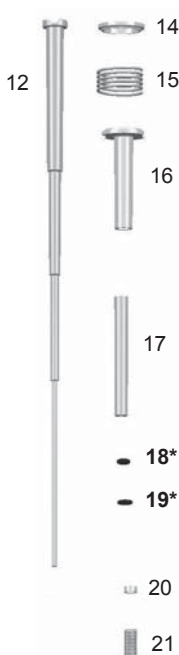
* 50. Module



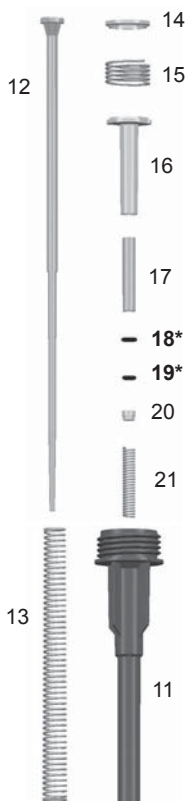
1–10µl
1µl / 5µl / 10µl Fixed



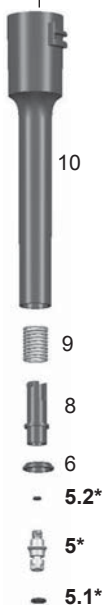
2–20µl
20µl Fixed



5–50µl
25 / 50µl Fixed



All
1–300µl

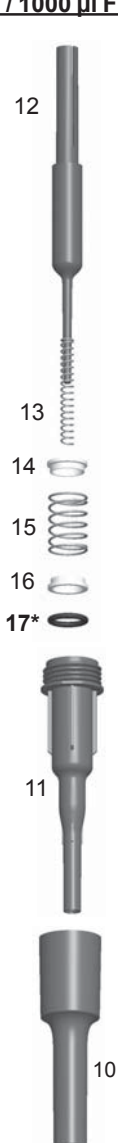


10-100µl

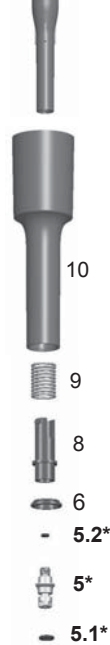
20-200µl
100 / 200 µl Fixed

30-300µl
250µl Fixed

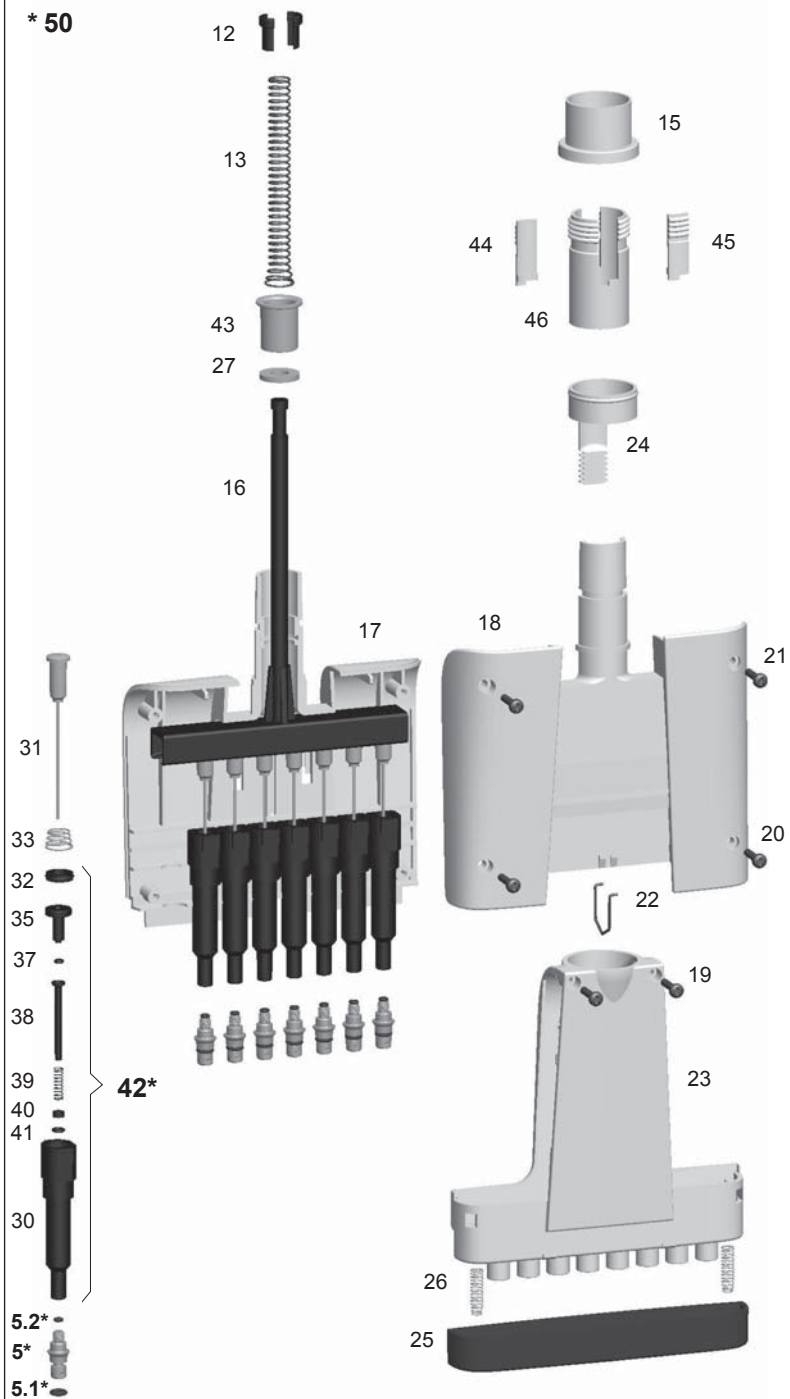
100-1000µl
500 / 1000 µl Fixed



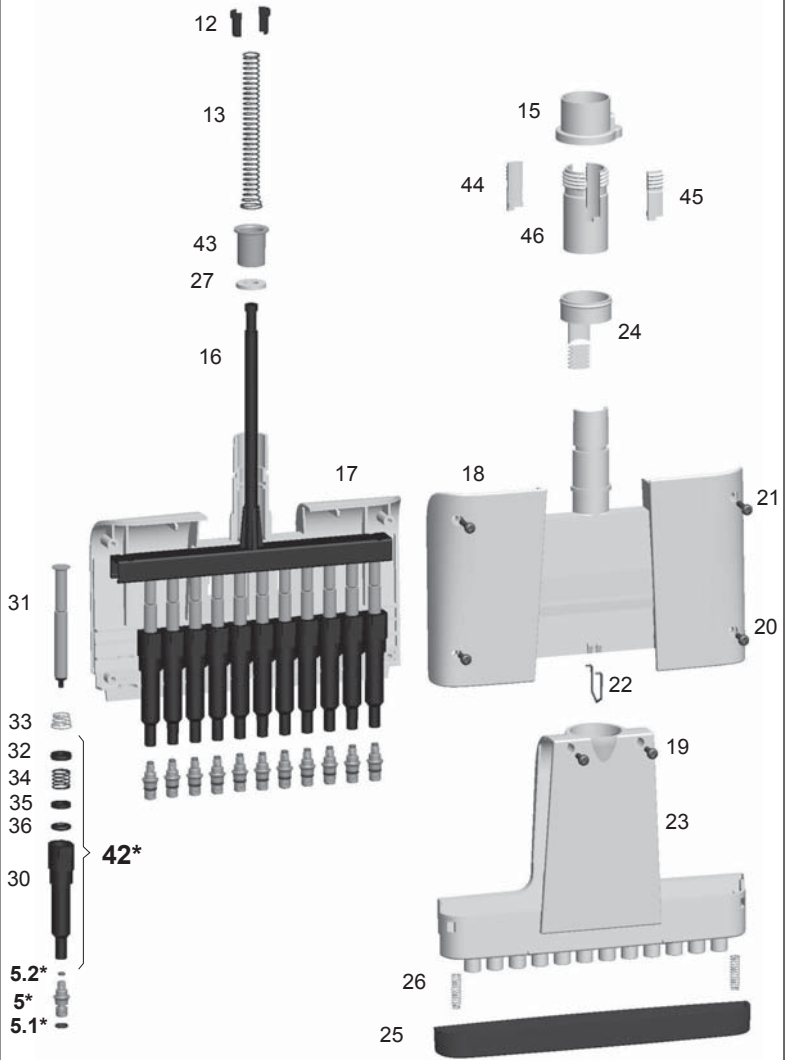
All
1-300µl



* 50



50*



F1-ClipTip single channel and multichannel spare part order numbers

Single Channel

1–10µl / 1µl / 5µl / 10µl Fixed

- 4. 2214000 1–10µl
- 4. 2214070 Fix 1µl
- 4. 2214080 Fix 5µl
- 4. 2214090 Fix 10µl
- 5. 11072080
- 5.1. 2214930 3 pcs
- 5.2. 1030060
- 18. 1030380
- 19. 1030060
- 23. 1030170
- 42. 2214180

2–20µl / 20µl Fixed

- 4. 2214010 2–20µl
- 4. 2214100 Fix 20µl
- 5. 11072080
- 5.1. 2214930 3 pcs
- 5.2. 1030060
- 18. 1030380
- 19. 1033110
- 42. 2214190

5–50µl / 25µl / 50µl Fixed

- 4. 2214020 5–50µl
- 4. 2214110 Fix 25µl
- 4. 2214120 Fix 50µl
- 5. 11072080
- 5.1. 2214930 3 pcs
- 5.2. 1030060
- 18. 1030500
- 19. 1039060
- 42. 2214200

10–100µl

- 4. 2214030 10–100µl
- 5. 11072080
- 5.1. 2214930 3 pcs
- 5.2. 1030060
- 17. 1030510
- 42. 2214210

20–200µl / 100µl / 200µl Fixed

- 4. 2214040 20–200µl
- 4. 2214130 Fix 100µl
- 4. 2214140 Fix 200µl
- 5. 11072080
- 5.1. 2214930 3 pcs
- 5.2. 1030060
- 17. 1030160
- 42. 2214220

30–300µl / 250µl Fixed

- 4. 2214050 30–300µl
- 4. 2214150 Fix 250µl
- 5. 11072080
- 5.1. 2214930 3 pcs
- 5.2. 1030060
- 17. 1033330
- 42. 2214230

100–1000µl 500µl / 1000µl Fixed

- 4. 2214060 100–1000µl
- 4. 2214160 Fix 500µl
- 4. 2214170 Fix 1000µl
- 5. 11072200
- 5.1. 2215540 3 pcs
- 5.2. 1033410
- 17. 1030020
- 42. 2214240

Multichannel

8-ch / 12-ch

- 4. 2214000 1–10µl
- 4. 2214020 5–50µl
- 4. 2214030 10–100µl
- 4. 2214050 30–300µl
- 5. 11072080
- 5.1. 2214920 12 pcs
- 5.2. 1030060
- 42. 2214390 1–10µl 12 pcs
- 42. 2214400 5–50µl 12 pcs
- 42. 2214410 10–100µl 12 pcs
- 42. 2214420 30–300µl 12 pcs

8-ch

- 50. 2213620 1–10µl
- 50. 2213630 5–50µl
- 50. 2213640 10–100µl
- 50. 2213650 30–300µl

12-ch

- 50. 2213660 1–10µl
- 50. 2213670 5–50µl
- 50. 2213680 10–100µl
- 50. 2213690 30–300µl

Appendix 7. Pipette accessories



**Multichannel stand
#9420390**



**F-stand
#9420400**



**Reagent reservoir
100 ml #95128085**

**Reagent reservoir
25 ml #95128093**

**Reagent reservoir
25 ml divided #951228095**