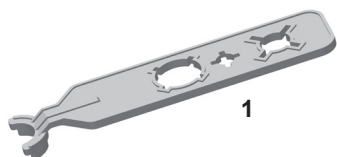


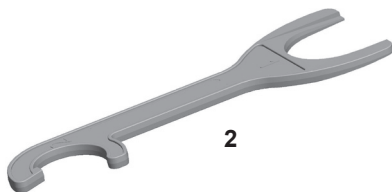
Appendix 4. Assembly and spare parts

* Available as a spare part. See model specific order numbers on page 30.

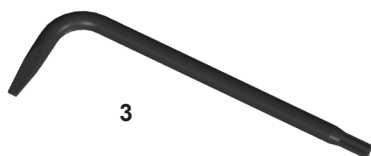
1062800
Service and
adjustment tool



1062930
Multichannel service tool



0300070 Tip fitting tool

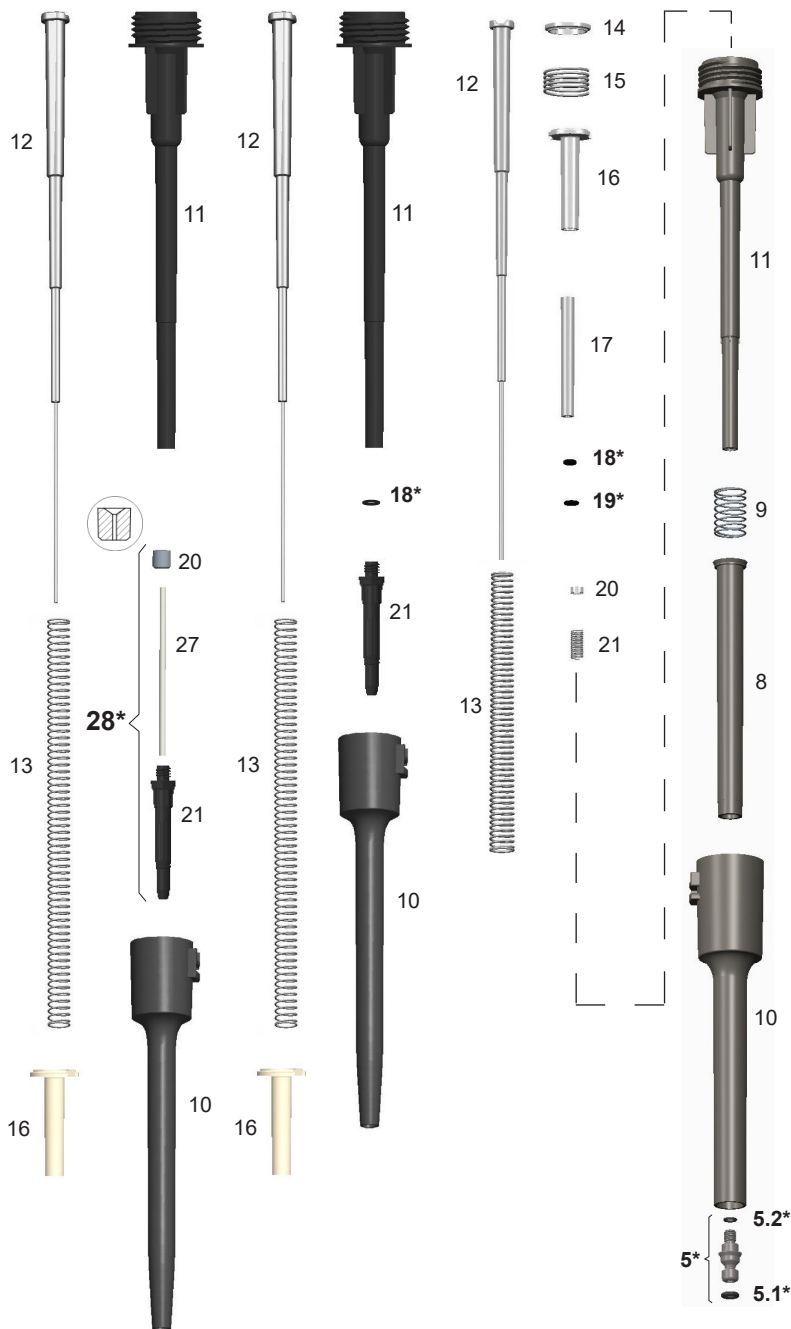


0.1–2µl

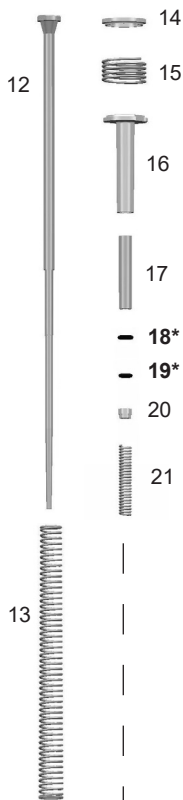
1–10µl
10 µl Fixed

2–20µl
20 µl Fixed

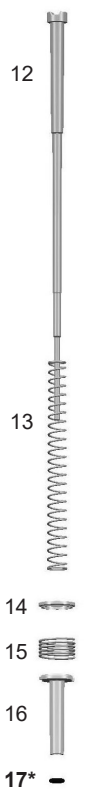
All
1–300µl



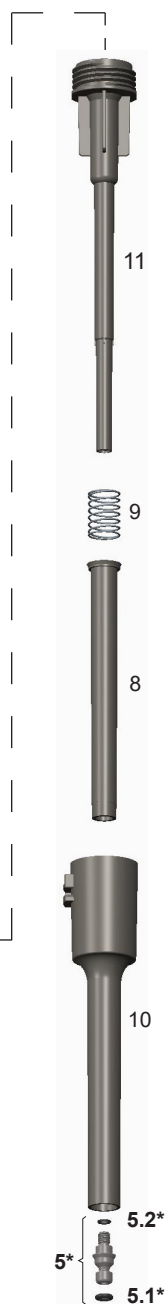
5-50µl
25 / 50 µl Fixed



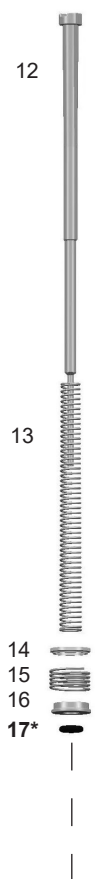
10-100µl



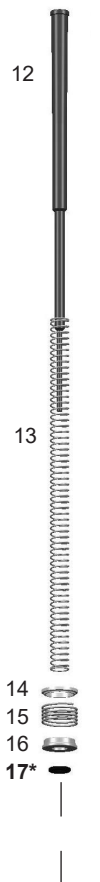
All
1-300µl



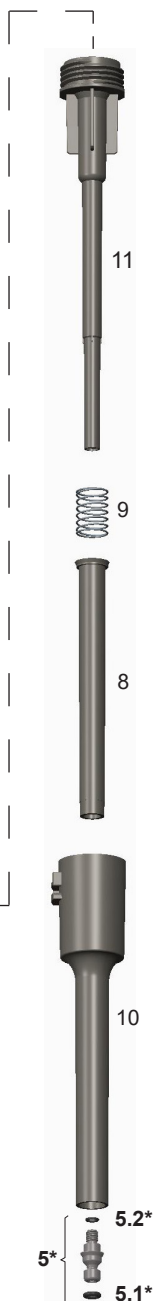
20–200µl
100 / 200 µl Fixed



30–300µl
250µl Fixed



All
1–300µl



100–1000µl
500 / 1000 µl Fixed



* 50

8-ch 1-10 µl



13



43



27



44



45



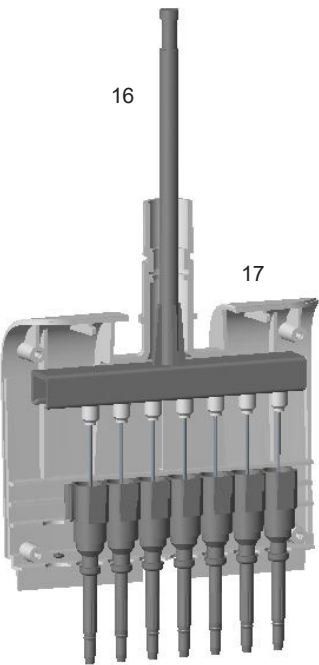
46



16



17



31



33



32



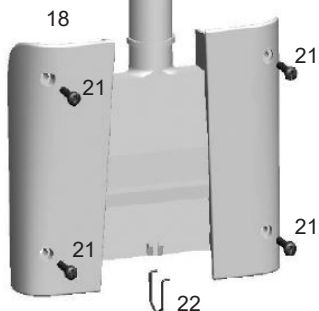
37*



30



18



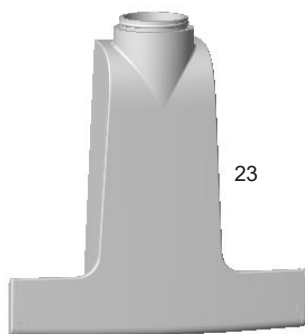
21

21

21

22

23



25



* 50

12-ch 1-10 μ l

12

13

43

27

15

46

16

18

17

21

21

20

20

22

31

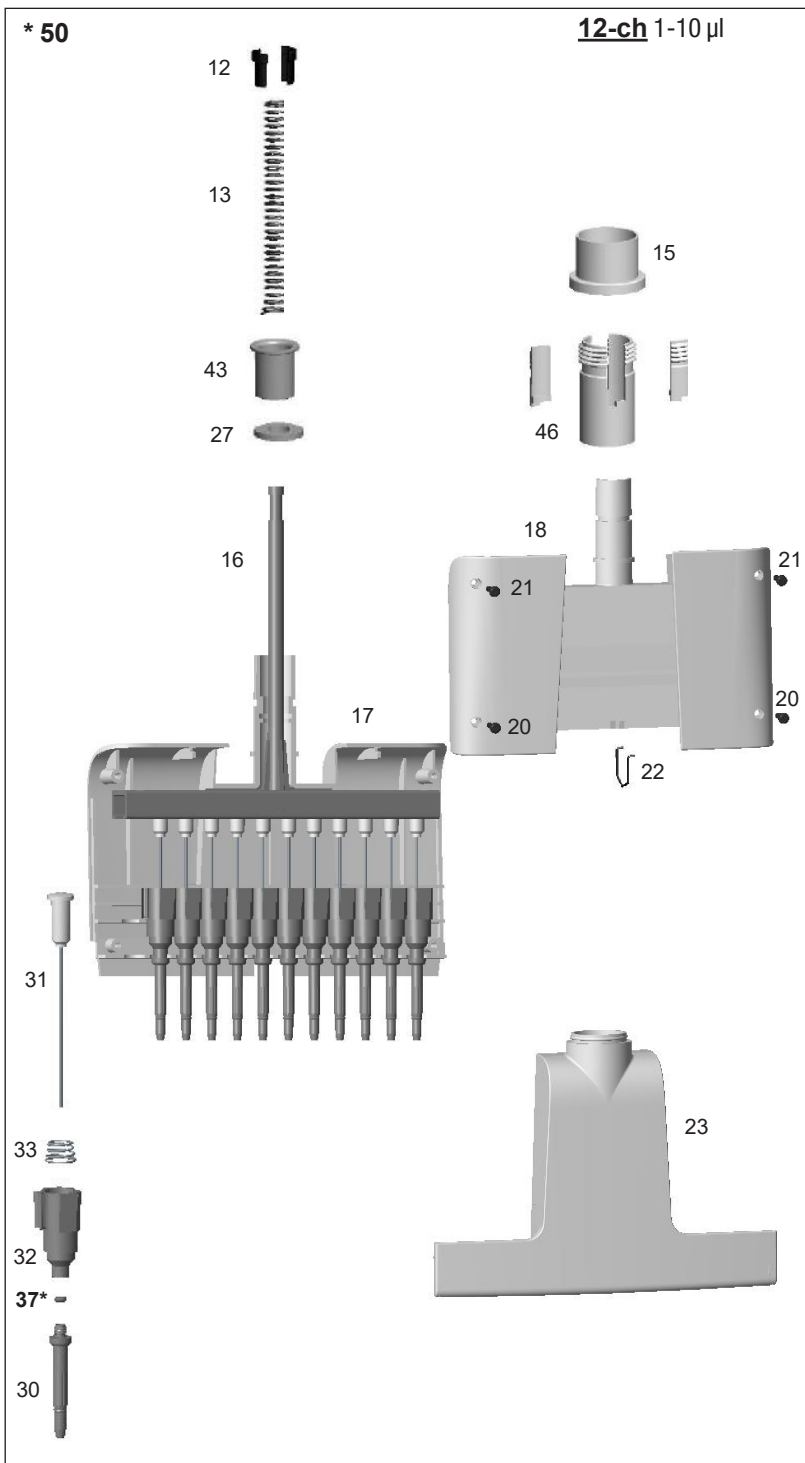
33

32

37*

30

23



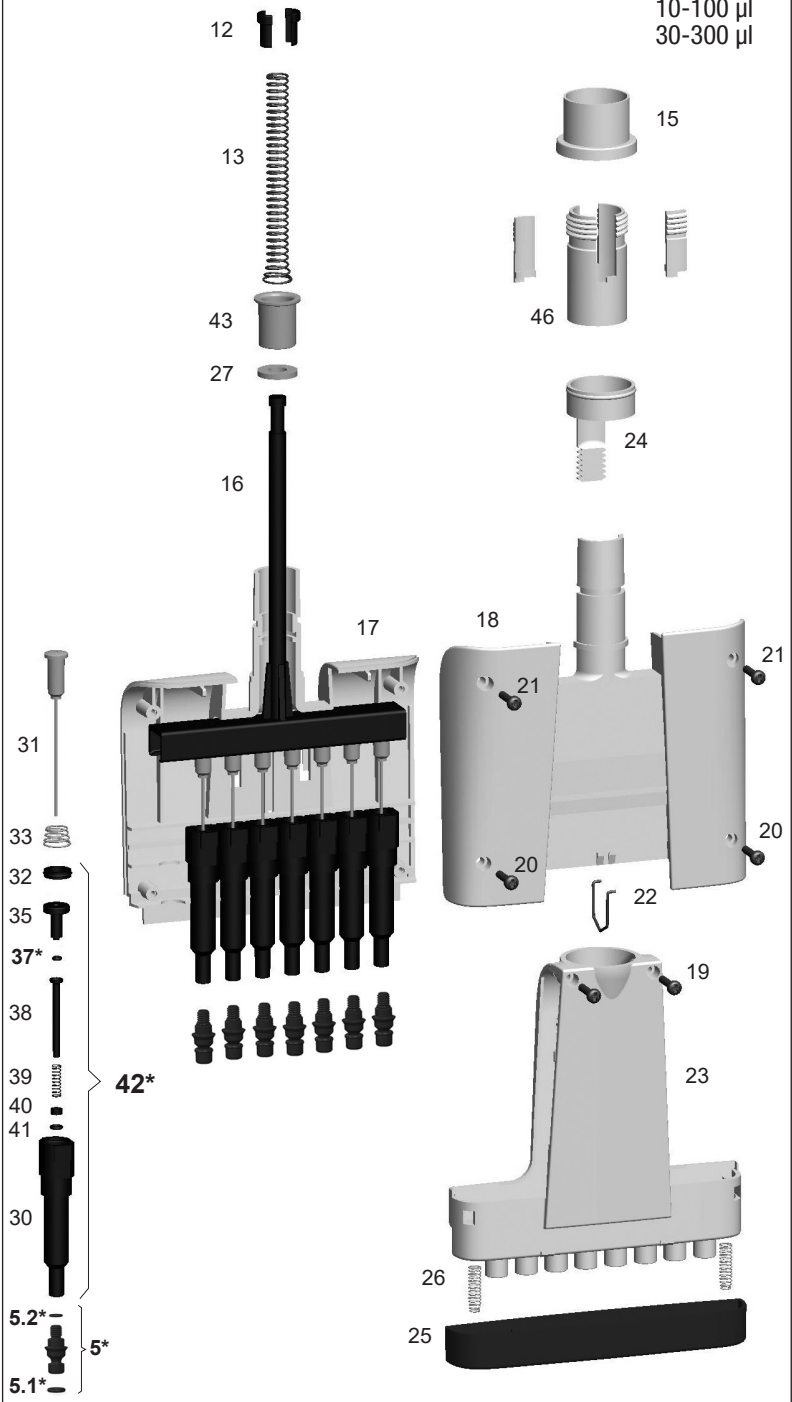
* 50

8-ch

5-50 μ l

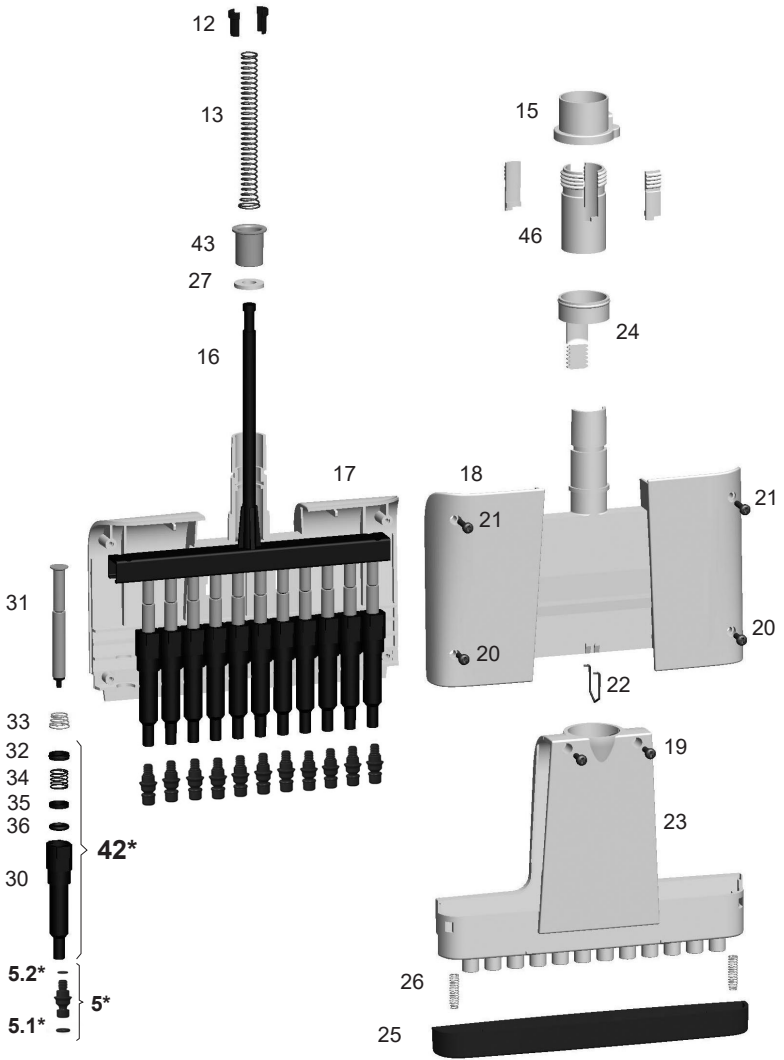
10-100 μ l

30-300 μ l



50*

12-ch 5-50 μ l
10-100 μ l
30-300 μ l



F1-ClipTip single channel and multichannel spare part order numbers

Single Channel

0.1–2µl

- 28. 2216410
- 42. 2216480N

1–10µl / 10µl Fixed

- 18. 1030060
- 42. 2216390N

2–20µl / 20µl Fixed

- 5. 2216160 4 pcs
- 5.1. 2214930 3 pcs
- 5.2. 1033430
- 18. 1030380
- 19. 1033110
- 42. 2216090N

5–50µl / 25µl / 50µl Fixed

- 5. 2216160 4 pcs
- 5.1. 2214930 3 pcs
- 5.2. 1033430
- 18. 1030500
- 19. 1039060
- 42. 2216100N

10–100µl

- 5. 2216160 4 pcs
- 5.1. 2214930 3 pcs
- 5.2. 1033430
- 17. 1030510
- 42. 2216110N

20–200µl / 100µl / 200µl Fixed

- 5. 2216160 4 pcs
- 5.1. 2214930 3 pcs
- 5.2. 1033430
- 17. 1030160
- 42. 2216120N

30–300µl / 250µl Fixed

- 5. 2216160 4 pcs
- 5.1. 2214930 3 pcs
- 5.2. 1033430
- 17. 1033330
- 42. 2216130N

100–1000µl 500µl / 1000µl Fixed

- 5. 2216190 4 pcs
- 5.1. 2215540 3 pcs
- 5.2. 1033430
- 17. 1030020
- 42. 2216220N

Multichannel

8-ch / 12-ch

- 5. 2216170 8 pcs
- 5. 2216180 12 pcs
- 5.1. 2214920 12 pcs
- 5.2. 1033430
- 37. 1030060 1 pcs
- 42. 2214400 5–50µl 12 pcs
- 42. 2214410 10–100µl 12 pcs
- 42. 2214420 30–300µl 12 pcs

8-ch

- 50. 2216440N 1–10µl
- 50. 2213630N 5–50µl
- 50. 2213640N 10–100µl
- 50. 2213650N 30–300µl

12-ch

- 50. 2216460N 1–10µl
- 50. 2213670N 5–50µl
- 50. 2213680N 10–100µl
- 50. 2213690N 30–300µl

Bag of grease 1g (Order No. 3300200)

Appendix 7. Pipette accessories



**Multichannel stand
#9420390**



**F-stand
#9420400**



**Reagent reservoir
100 ml #95128085**

**Reagent reservoir
25 ml #95128093**

**Reagent reservoir
25 ml divided #951228095**